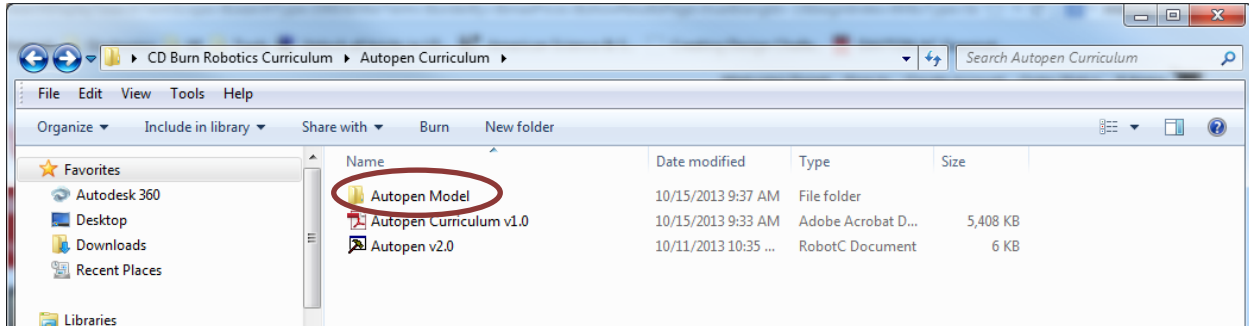
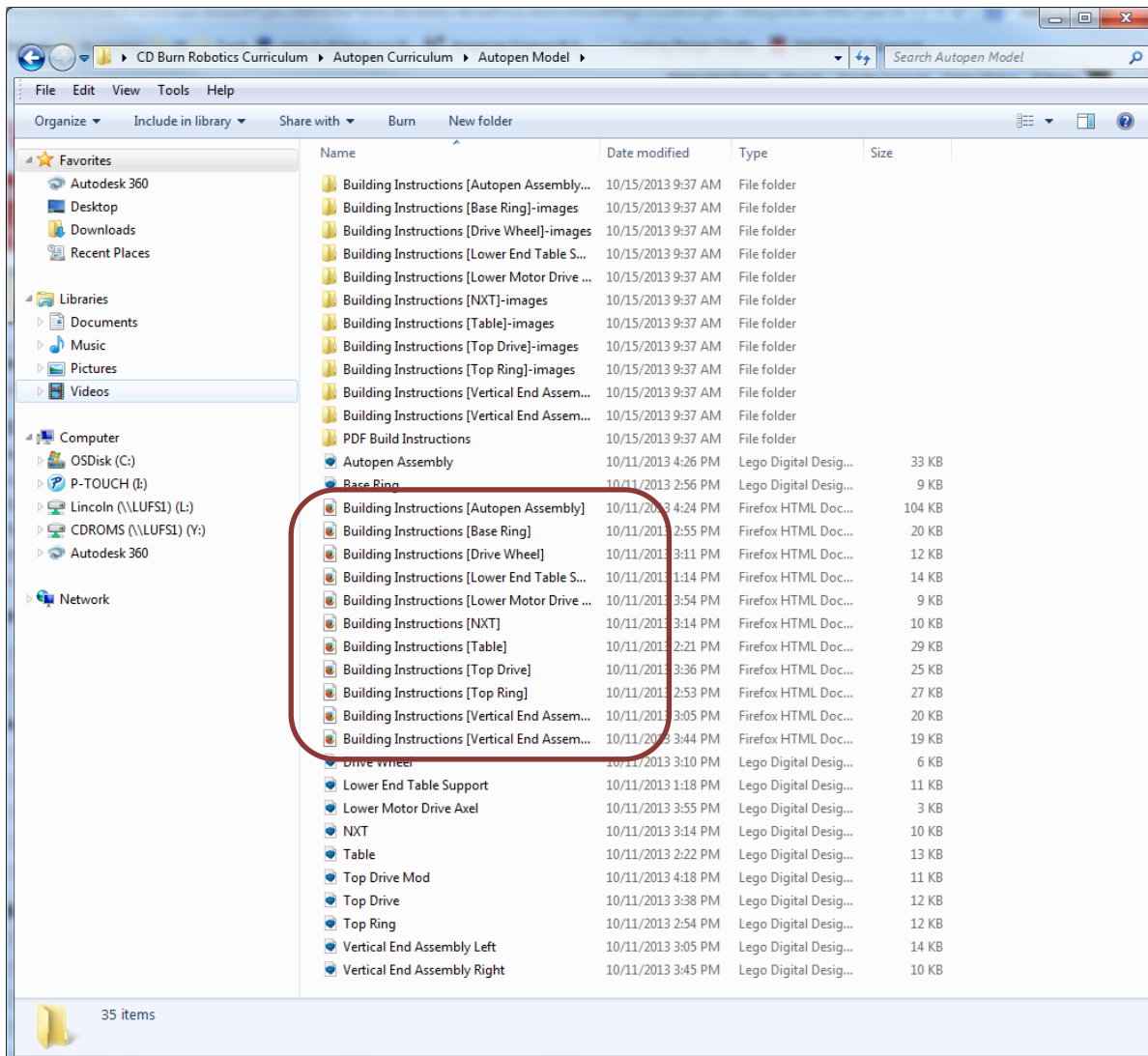


Autopen Curriculum Usage Instructions

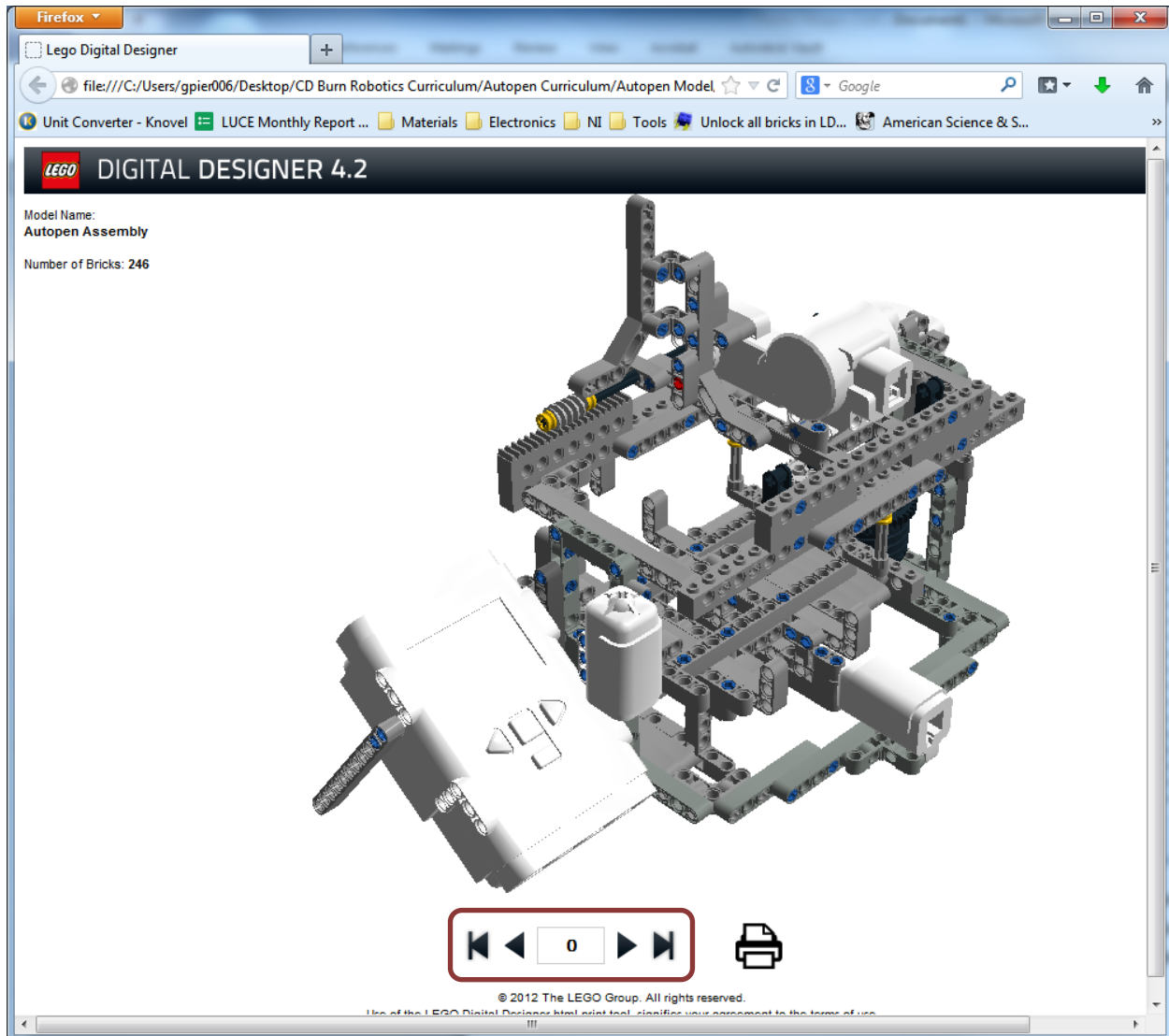
In the file that you have either downloaded or received on a CD there is a file entitled *Autopen Model* [Path: **Saved Location**\Robotics Curriculum\Autopen Curriculum]



Double click on *Autopen Model* and you will see the following files:



Selecting any of the files that are called out by the red square, in the above figure, will launch your internet browser and provide a step-by-step assembly guide for the Autopen project (see below). Selecting the first file entitled *Building Instructions [Autopen Assembly]* will provide a single file that is a consolidation of the remaining building instructions.



Use the arrows found at the bottom of the screen to advance or go back in the build process. Note the build instructions indicate the parts needed for that portion of the build as well as what your part should look like once assembled.

Firefox

Lego Digital Designer

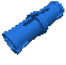
file:///C:/Users/gpier006/Desktop/CD Burn Robotics Curriculum/Autopen Curriculum/Autopen Model

Unit Converter - Knovel LUCE Monthly Report ... Materials Electronics NI Tools Unlock all bricks in LD... American Science & S...

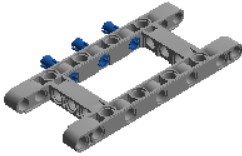

LEGO DIGITAL DESIGNER 4.2

Step 1 of 101

3 x



1 x



© 2012 The LEGO Group. All rights reserved.
Use of the LEGO Digital Designer html print tool signifies your agreement to the terms of use